



ECLIPSE12 SUB

OWNER'S
MANUAL

Introduction

OSD – The Best Value in Sound

Thanks for joining the OSD owners club.

Experience the OSD Nero Eclipse series, where inviting LED lighting blends with rich, clear audio. Featuring the Eclipse12 Sub & Eclipse25 Bollard for enchanting outdoor environments, the versatile Eclipse25 WM Surface Wall Mount, Eclipse25 WM UD Surface Wall Mount with up-down LED, or the sleek Eclipse25 WMS Slim Surface Wall Mount Speaker, each crafted to enhance any space with their harmonious design and pleasing sound.

See additional connection options in this manual to achieve the best performance for your application.

If you have any questions about the Eclipse Series, please contact us directly.

www.osdaudio.com

email: support@osdaudio.com

Phone: 888-779-4968

In The Box

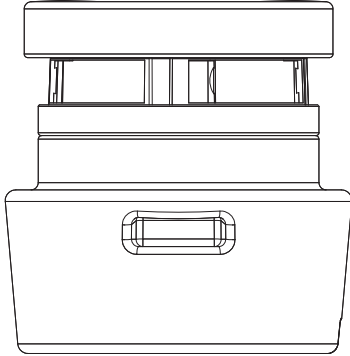
Eclipse12 Sub 70V

QR Manual Card	Qty: 1
Eclipse12 70V Subwoofer/LED Light	Qty: 1

Eclipse12 Sub

QR Manual Card	Qty: 1
Eclipse12 Subwoofer/LED Light	Qty: 1

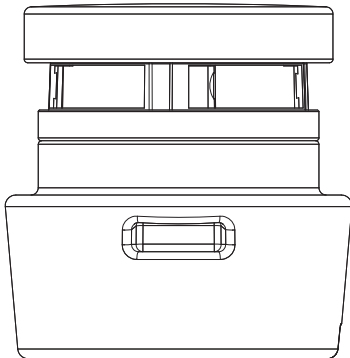
Eclipse12 SUB 70V



12" 70V/4Ω Subwoofer Speaker w/LED Light

- Omni Directional
- 12" Woofer
- 4-Ohm Power: 400Watts RMS
- 70V/100V Tap: 200Watt audio
- Frequency Response: 30-120Hz
- Sensitivity: 89dB
- Light Power: 13W (DC12V LED Light Belt)
- Color temperature: 3000k
- Lumens: 900
- Dimensions: (H x W) 19.7 "x 19.2"
- IP 65 Outdoor Rated

Eclipse12 SUB



12" 4Ω Subwoofer Speaker w/LED Light

- Omni Directional
- 12" Woofer
- 4-Ohm Power: 400Watts RMS
- Frequency Response: 30-120Hz
- Sensitivity: 89dB
- Light Power: 13W (DC12V LED Light Belt)
- Color temperature: 3000k
- Lumens: 900
- Dimensions: (H x W) 19.7 "x 19.2"
- IP 65 Outdoor Rated

What Gauge Wire for Landscape Lighting and Sound?

There are a couple different options here when it comes to landscape wiring. Luckily, we have some of the most popular choices (White or Black Jacket Option) in stock to help you.

The most popular gauge sizes are 12/2 AWG landscape wire, 14/2 AWG landscape wire, and 16/2 AWG. Our Low Voltage Wire is rated for Direct Burial or above ground. The outer jacket is also CL3-rated for in-wall installation for all residential and most commercial low-voltage applications for both LED lighting and Audio transmission.

When you see these numbers in front of the cable, this tells you the size of the conductors inside the line. Each size performs well for different lengths and watts you need for your installation.

The length in this chart goes up to 120 feet, and the Watts goes up to 120. This gives you great coverage for the majority of your installations. Most cable runs for outdoor landscape lighting will fall into the 12, 14, or 16 AWG category.

Since we covered an overview of landscape wire, let's now get into some more common questions in regard to landscape wiring:

LANDSCAPE WIRING CHART

Watts	10	20	30	40	50	60	70	80	90	100	110	120
40 ft	16	16	16	16	16	16	16	16	16	14	14	12
60 ft	16	16	16	16	16	16	16	16	14	14	14	12
80 ft	16	16	16	16	16	16	14	14	14	14	14	12
100 ft	16	16	16	16	14	14	14	14	14	12	12	12
120 ft	12	12	12	12	12	12	12	12	12	12	12	12

AWG

How Far Can You Run 14 Gauge Landscape Wire?

From the above chart, 14AWG landscape wire is recommended for up to 100ft using up to 90 Watts.

Do You Have to bury Landscape Wire?

The great thing about landscape wire is that you don't necessarily have to bury it. The cables jacket rating gives it the ability to perform in conditions such as sun and rain. If you're landscape wire run requires some exposure that is fine. We do recommend protecting your cable as much as you can whether that is in conduit or under awnings. Most landscape wire is buried out of sight.

LED Lighting Considerations

Note: We do not provide the low voltage transformer. The choice of transformer should be decided by the landscape lighting designer, or if you are installing it yourself, it can be sourced directly online from sites such as Amazon.

The LED light requires 12 Volts and up to 10 Watts.

The light color or temperature is 3000K, commonly called “Cool,” just above neutral. The maximum light output is 70 lumens, similar to a 25-watt incandescent light bulb. The area of illumination is approx. 1.5’

ECLIPSE12 Sub 70V

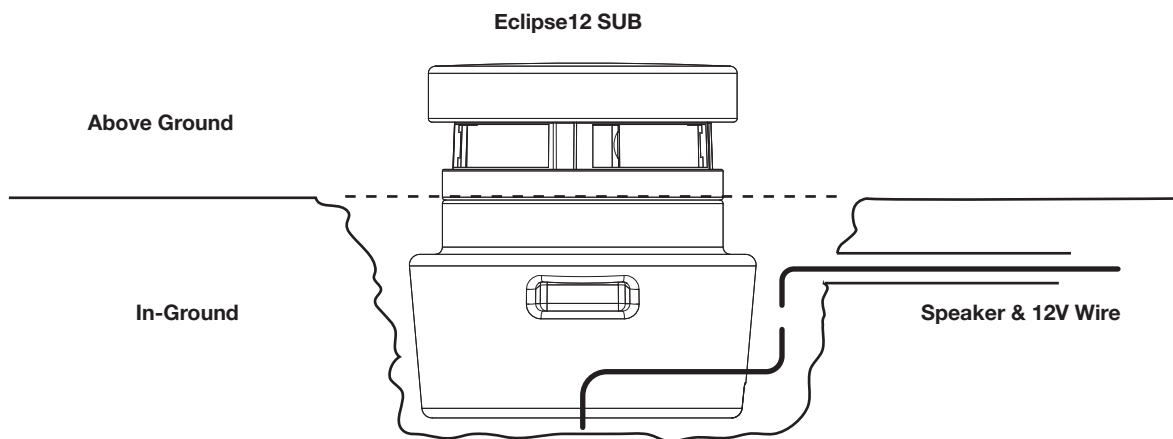
Red (+) and Black (-) wires are labeled for the 12Volt lighting lead connection. There are six wires from the Speaker lead. These other six wires pertain to the multiple Audio Connection Options (4-ohm/70V). The wire leads come from the bottom of the Eclipse12 Sub. So, the Black and Red wire lead goes to the 12 Volt Transformer for the LED, and the six wire lead connects to the Audio Power/Source.

ECLIPSE12 Sub

Red (+) and Black (-) wires are labeled for the 12Volt lighting lead connection. The other Red (+) and Black (-) wires are from the Speaker lead. The Audio lead connects directly to a 4-ohm capable amplifier.

Installing the Eclipse12 Sub Speaker/Light Combo.

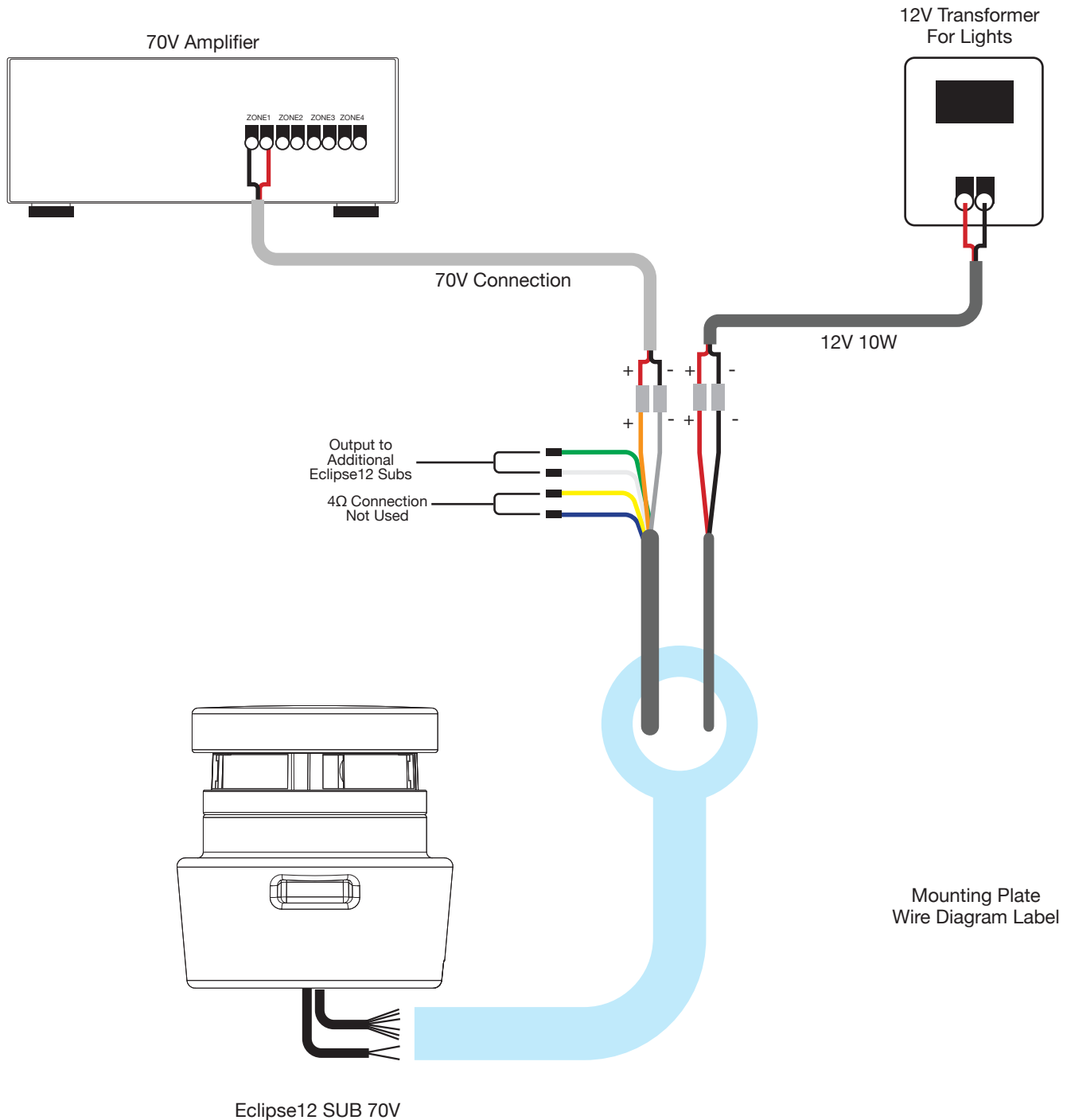
When installing the Eclipse12 in the ground, please note the Eclipse12 is designed to have the main portion of the cabinet buried in-ground. Above ground the top portion of the cabinet will remain exposed once the cavity is filled with soil to allow sound and light to disperse evenly.



When in doubt, consult a landscape lighting designer.

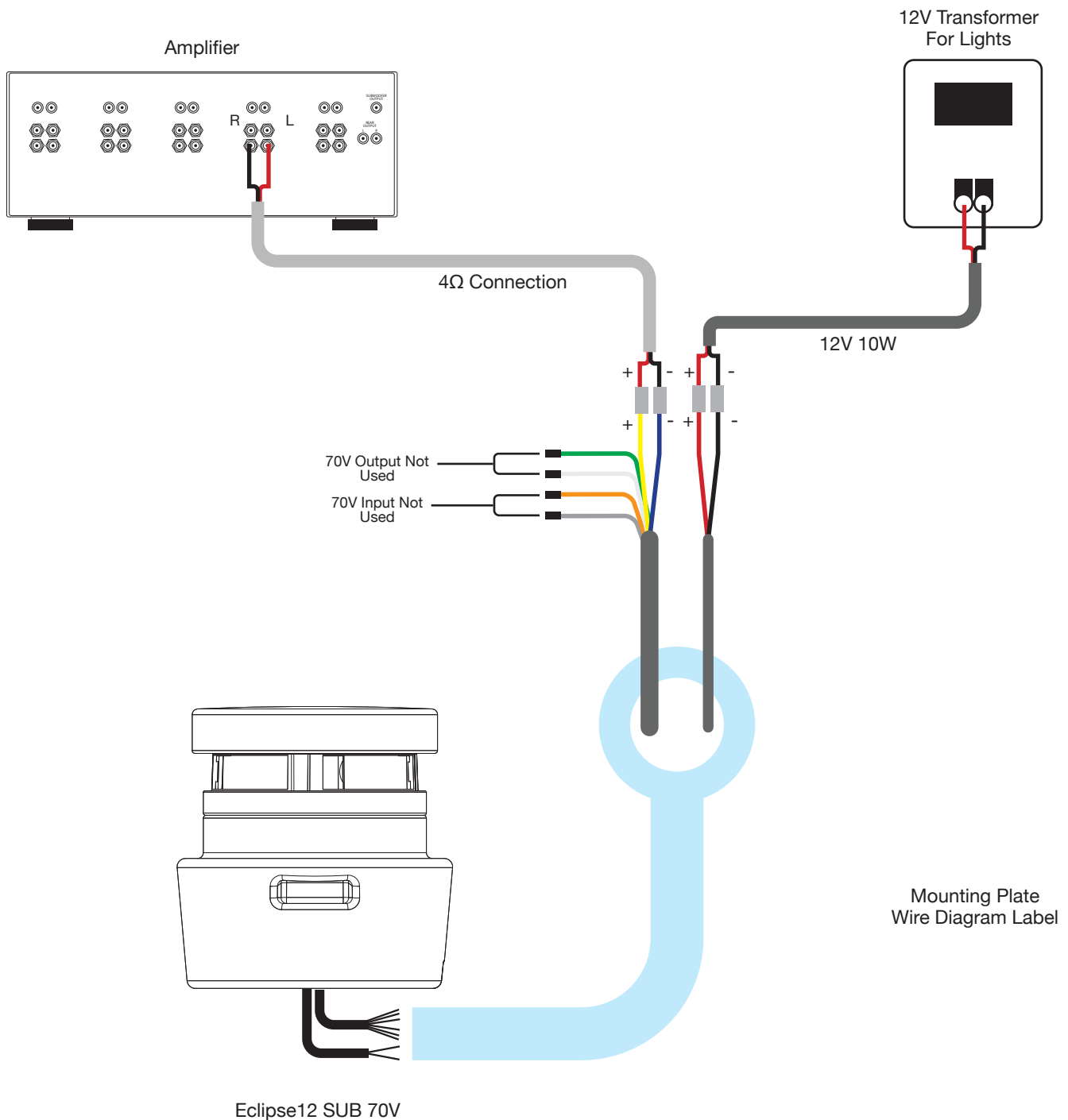
Eclipse12 Sub 70V Connection W/12V Light

Connect the Red (70V+) and Black(-) wires to 70V AMP(+) and Com(-) Connections Connect Red(+) and Black wires from the separate 12V lead to 12Volt Transformer(+/-) Output for the Light. Connect the Green(+) and White (-) to an additional Eclipse12. The Blue & Yellow 4Ω leads are not used in this application.



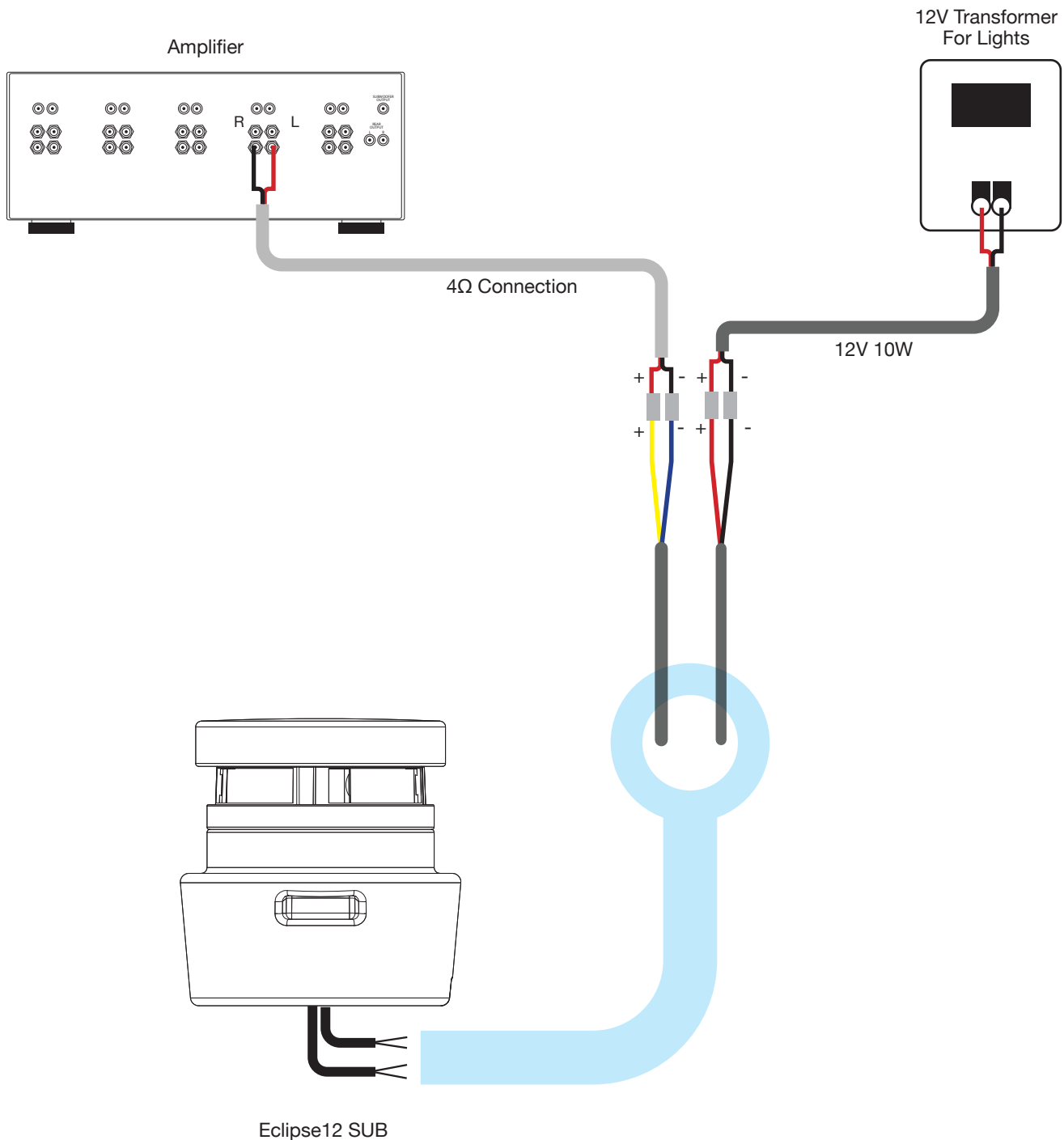
Eclipse12 Sub 70V 4-Ohm Connection W/12V Light

Connect the Yellow(+) and Blue(-) wires to 4-Ohm Capable Amp Single Channel(+/-) Output Connect Red(+) and Black wires to 12Volt Transformer(+/-) Output for the Light. 70V leads are not used in this application.



Eclipse12 Sub Connection W/12V Light

Connect the Red(+) and Black(-) wires to 4-Ohm Capable Amp Single Channel(+/-) Output Connect Red(+) and Black wires to 12Volt Transformer(+/-) Output for the Light.



Warranty Info

All OSD NERO Eclipse Series Outdoor Speaker products have a (3) year Limited Warranty against defects in materials and workmanship. Proof of purchase must accompany all claims. During the warranty period OSD AUDIO will replace any defective part and correct any defect in workmanship without charge for either parts or labor OSD AUDIO may replace returned speakers with a product of equal value and performance. In such cases, some modification to the mounting may be necessary and are not OSD AUDIO's responsibility.

For this warranty to apply, the unit must be installed and used according to its written instructions. If necessary, repairs must be performed by OSD AUDIO. The unit must be returned to OSD AUDIO at the owner's expense and with prior written permission. Accidental damage and shipping damage are not considered defects, nor is damaged resulting from abuse or from servicing performed by an agency or person not specifically authorized in writing by OSD Audio

OSD AUDIO sells products only through authorized dealers and distributors to ensure that customers obtain proper support and service. Any OSD AUDIO product purchased from an unauthorized dealer or other source, including retailers, mail over dealers and on-line sellers will not be honored or serviced under existing OSD AUDIO warranty policy. Any sale of product by an unauthorized source or other manner not authorized by OSD AUDIO shall void the warranty on the applicable product.

Damage to or destruction of components due to application of excessive power voids the warranty on those parts. In these cases, repairs will be made on the basis of the retail value of the parts and labor. To return for repairs, you must email customer service at RMA@audiogeargroup.com for a Returned Merchandise Authorization (RMA) number# then the unit must be shipped to OSD AUDIO at the owner's expense, along with a note explaining the nature of service required. Be sure to pack the unit(s) in a corrugated container with at least 3 inches of resilient material to protect the unit from damage in transit.

This Warranty Does Not Cover:

Damage caused by abuse, accident, misuse, negligence, or improper operation (installation) • Any products that have been altered or modified • Any product whose identifying number of decal, serial #, etc. has been altered, defaced or removed • Normal wear and maintenance.

